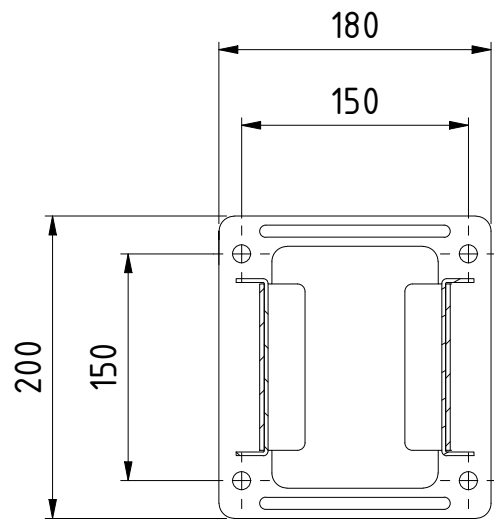
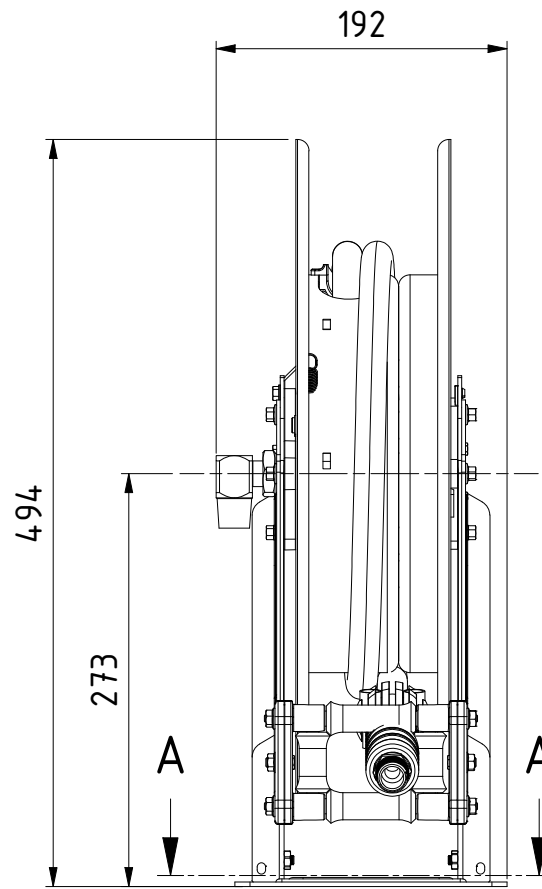
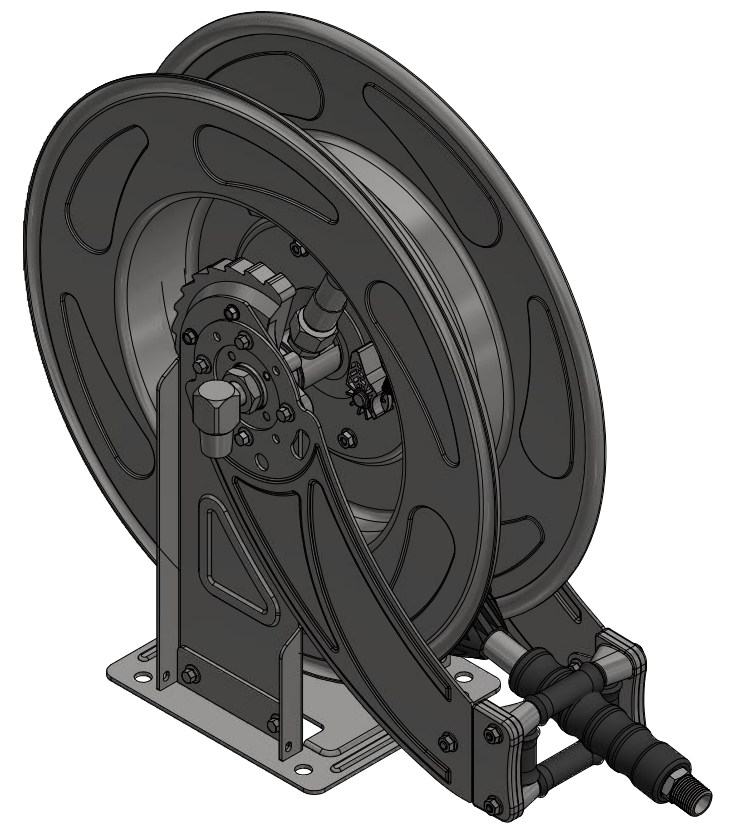
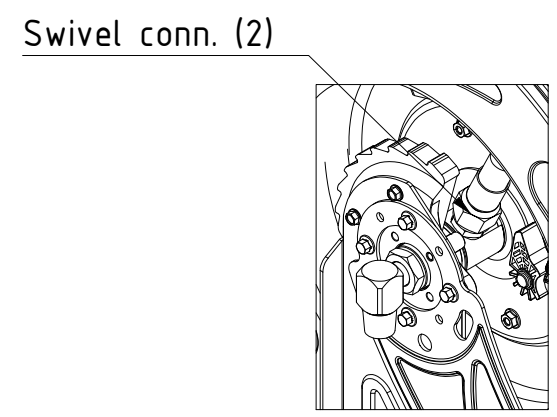
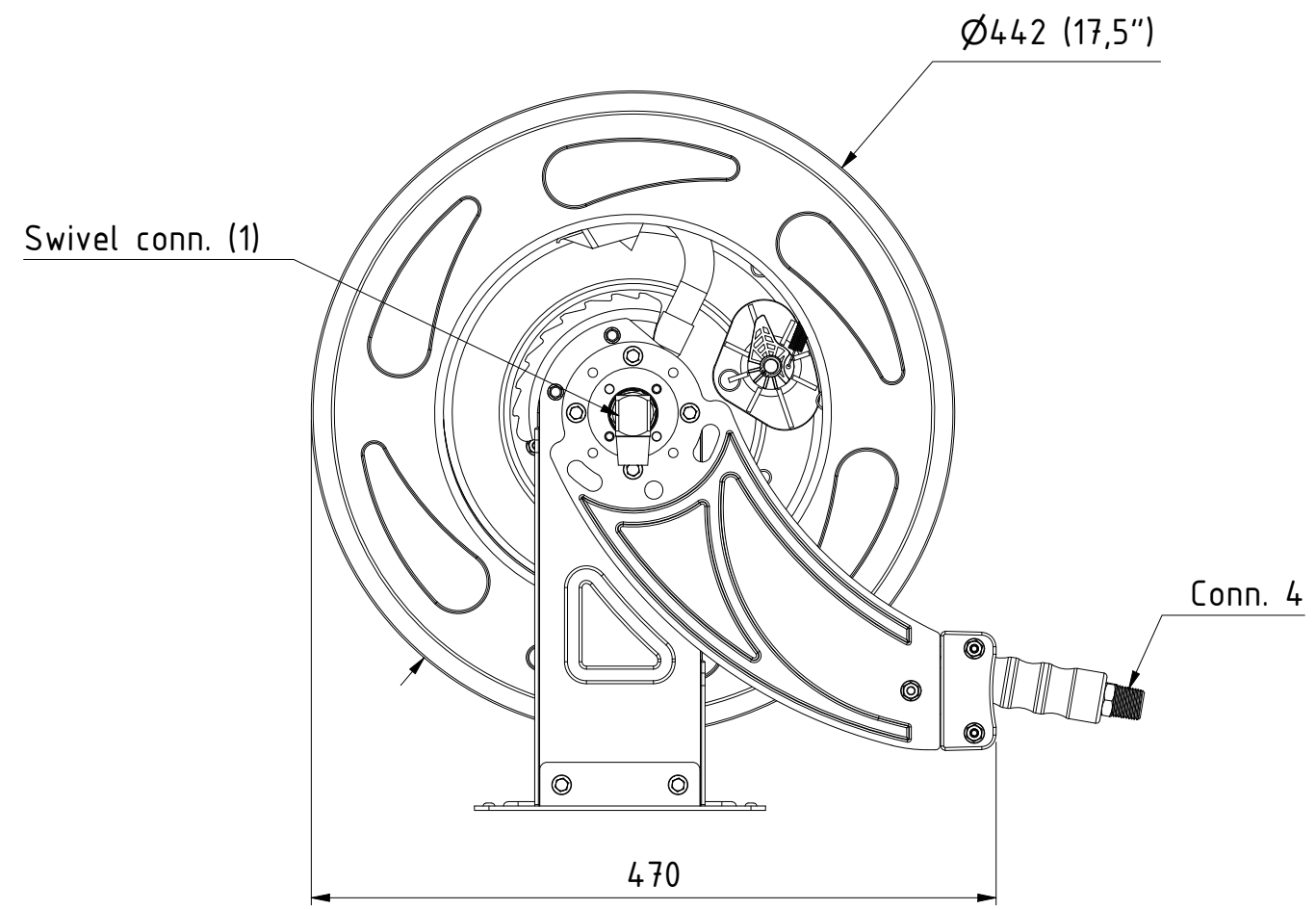


This document must not be copied, either completely or in part, without permission. Any infringement will have legal consequences ©



A-A



1 : 5

Technical Data:
 Hose: 3/8" 2SC Hydro blue DN10
 IDxOD (mm): 9,9x16,6
 Sealing material: PTFE
 Reel material: AISI 304 (Swivel in stainless steel+ treated brass and hose fitting in galvanized steel)
Hose Reel Swivel connections:
 INLET: G 3/8" fem (1)
 OUTLET: G 3/8" male (2)

Product Data - Stainless Steel Reels (Wash Down)

Art.no.	Hose length	Hose material	Conn. 4	Weight [kg]	Max water temp.	Working Pressure
19 913 1065	15m (49 ft)	Rubber hose	R 3/8" male	22	150°C	400bar (5800 PSI) 150°C



Scale	1 : 5	Drawn	CABLHE	Checked	JOOL	Appr.	OG	ECO	000984	Date	2021-07-08
Drawing No.								509139910		Issue	AA
Assembly Drawing								509139910		Sheet	1 / (1)

