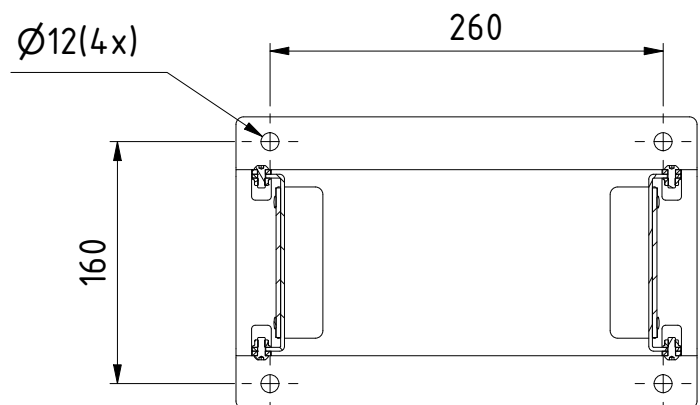
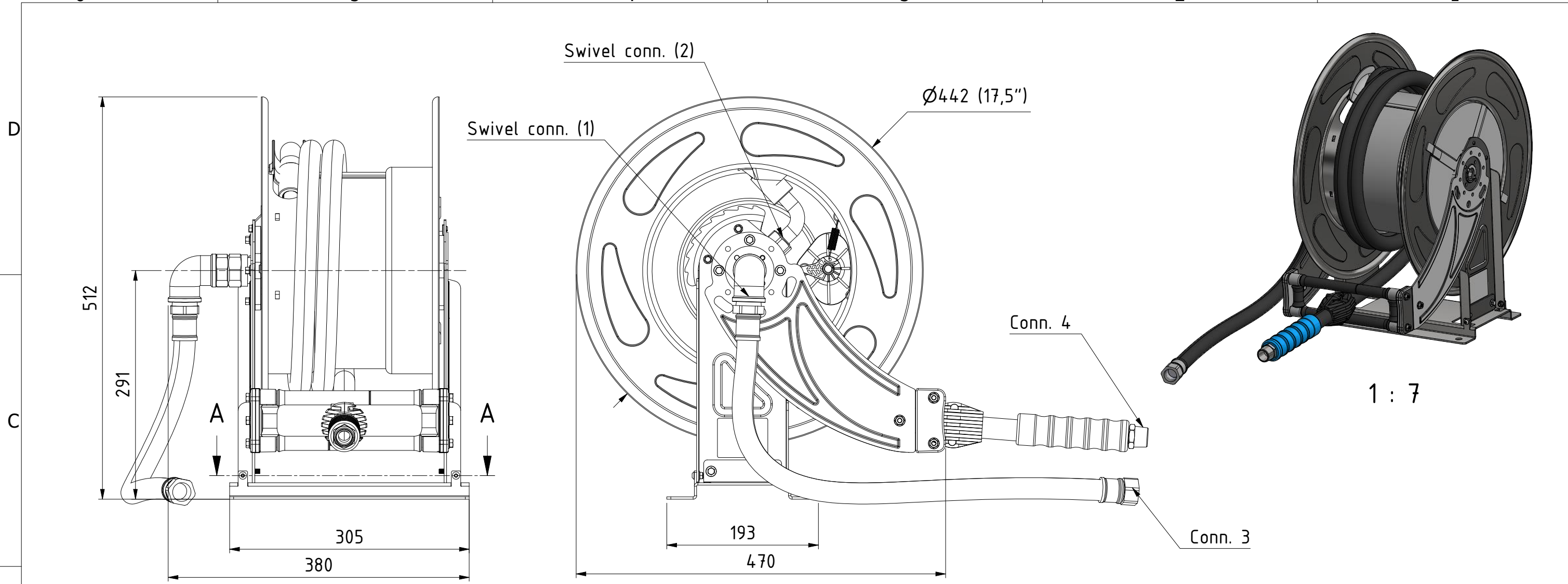


This document must not be copied, either completely or in part, without permission. Any infringement will have legal consequences ©



A-A

Technical Data:
 Hose material: Rubber
 Max Temperature: 50°C
 Sealing material: Viton
 Max pressure: 18bar(261PSI) 50°C
 Reel material: AISI 304 (Inlet conn. in brass)
 Feeder hose length: 1m
 Hose Reel Swivel connections:
 INLET: G 1" fem (1)
 OUTLET: R 3/4" male (2)

Product Data - Stainless Steel Reels (Wash Down)

Art.no.	Hose length	IDxOD [mm]	Conn. 3	Conn. 4	Weight [kg]
19 913 1240	20m (65ft)	19x27	G 3/4" fem Swivel nut	R 3/4" male	30



Scale	1 : 5	Drawn	CABJOOL	Checked	JOOL	Appr.	OG	ECO	000984	Date	2021-08-13
Drawing No.							509139905		Issue		AA
							Sheet		1 / (1)		

