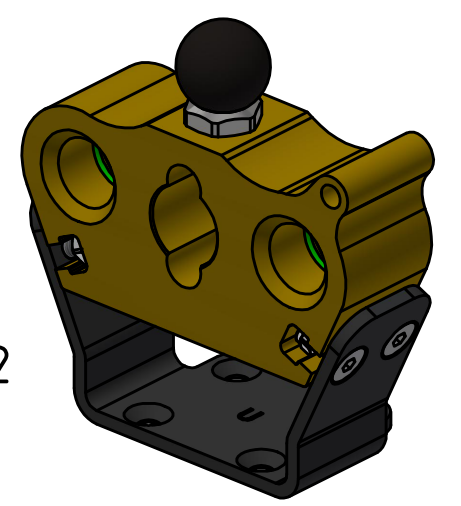
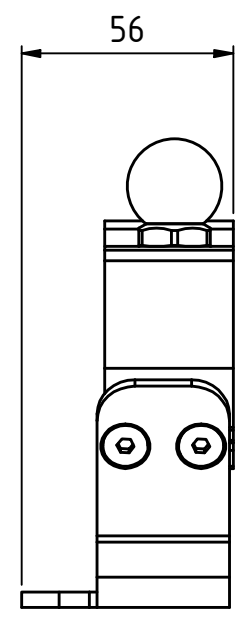
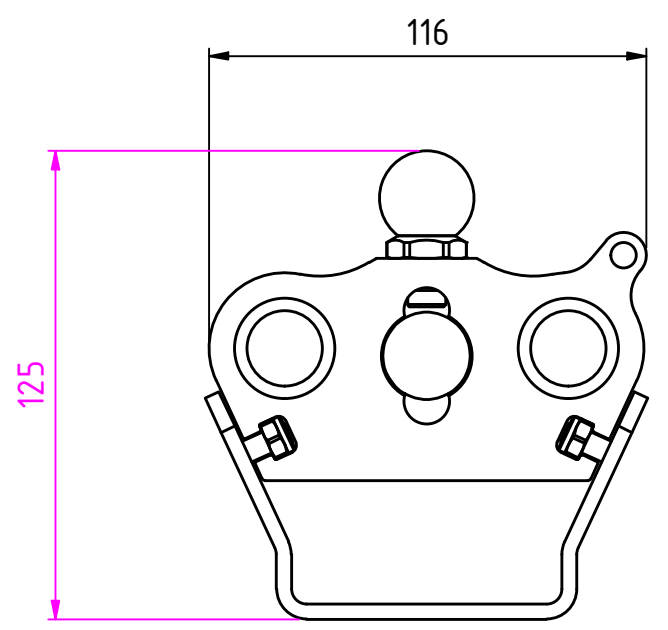
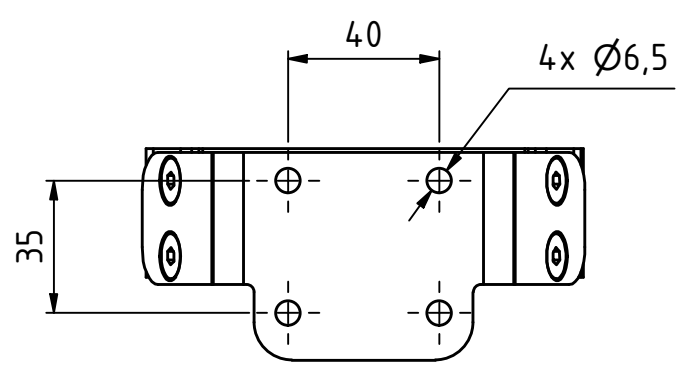
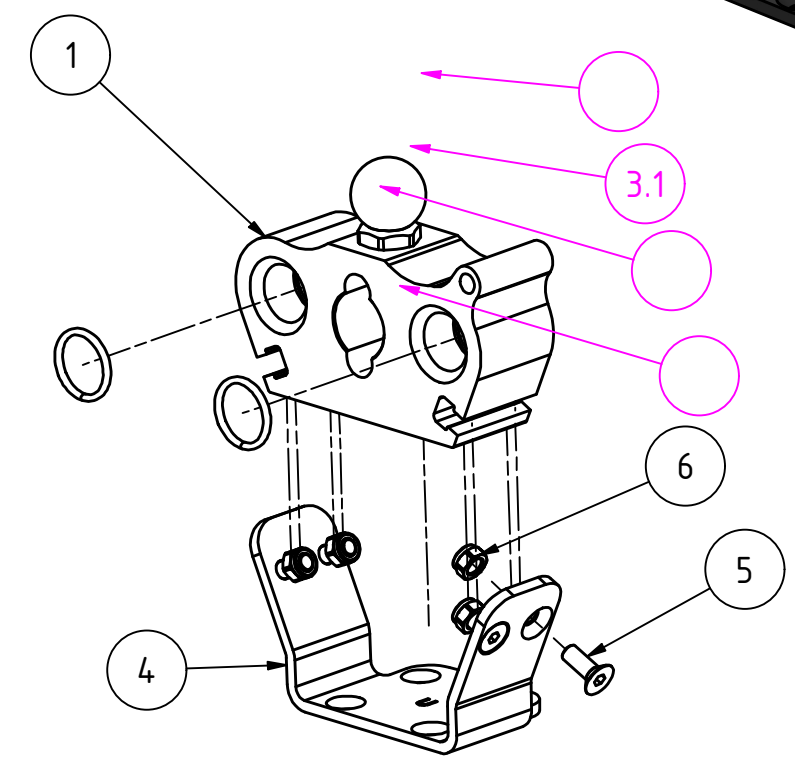


This document must not be copied, either completely or in part, without permission. Any infringement will have legal consequences ©



1 : 2



Product No. 109321070	
Nominal flow $\varnothing$ DN:	mm
Connection Stroke:	mm
Max WP Connected:	bar
Max WP Disconnected:	bar
Min BP Connected:	bar
Min BP Disconnected:	bar
Temperature range:	°C - °C
Connection:	
Sealing material:	
Hexagon:	

Item	Qty	Description	Material	Part Number
6	4	Nut Locking M6x1	Steel, FZB	099320801
5	4	Screw MF6S M6x16	10.9 FZB	099320902
4	1	Fixation plate	Steel, Powder coating	099326531
3.1	1	Locking Device Kit		099329054
3	1	Locking Device Kit		109324991
2	2	O-ring	FPM	096672811
1	1	Docking plate	Al	099326605

	Scale	1 : 2	Drawn	EP	Checked	JoEr	Appr.	PMB	ECO	12573	Date	2019-08-13	
	<b>Assembly Drawing 109321070</b>										Issue	B	Sheet

