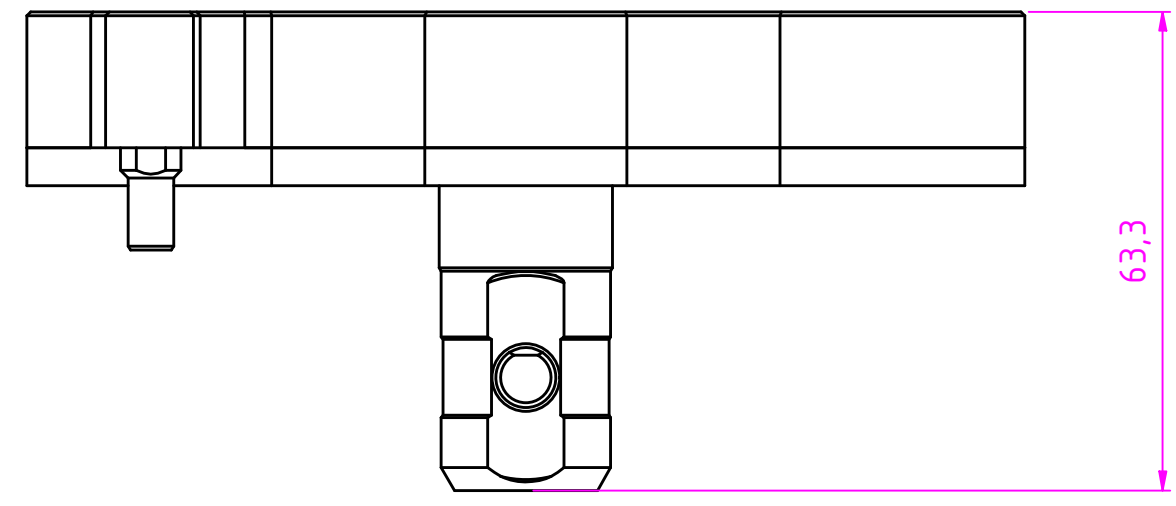
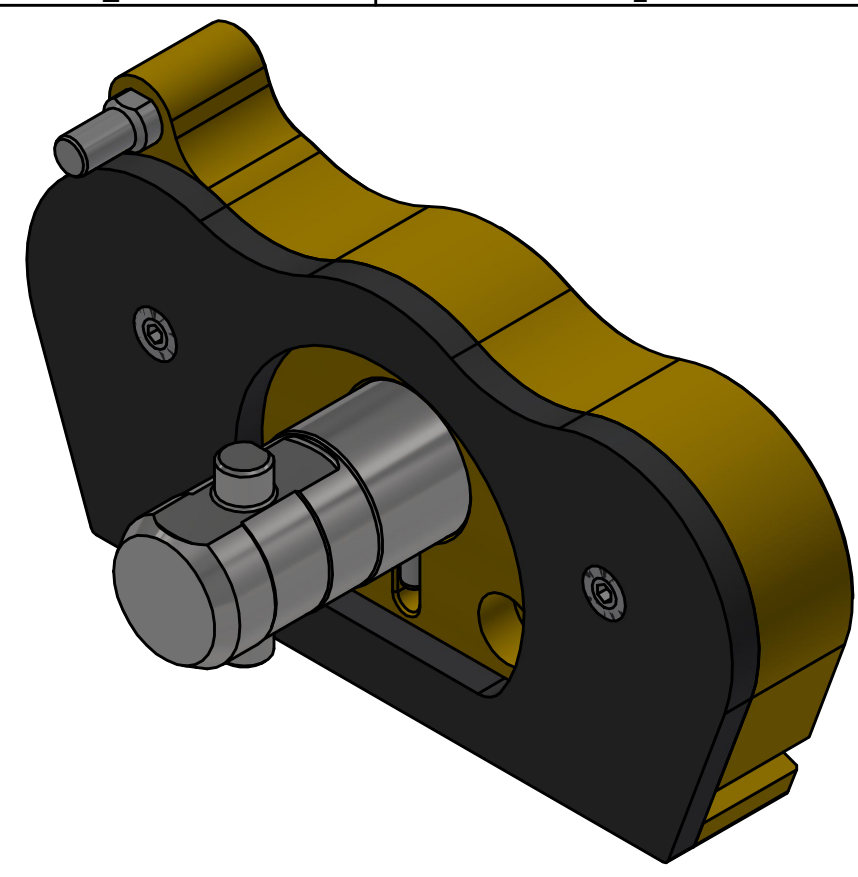
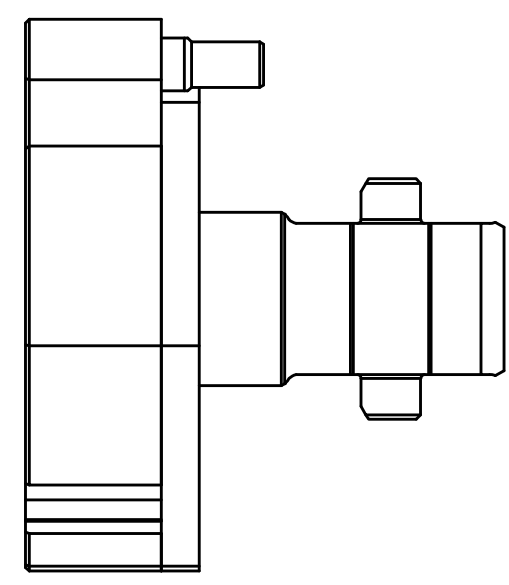
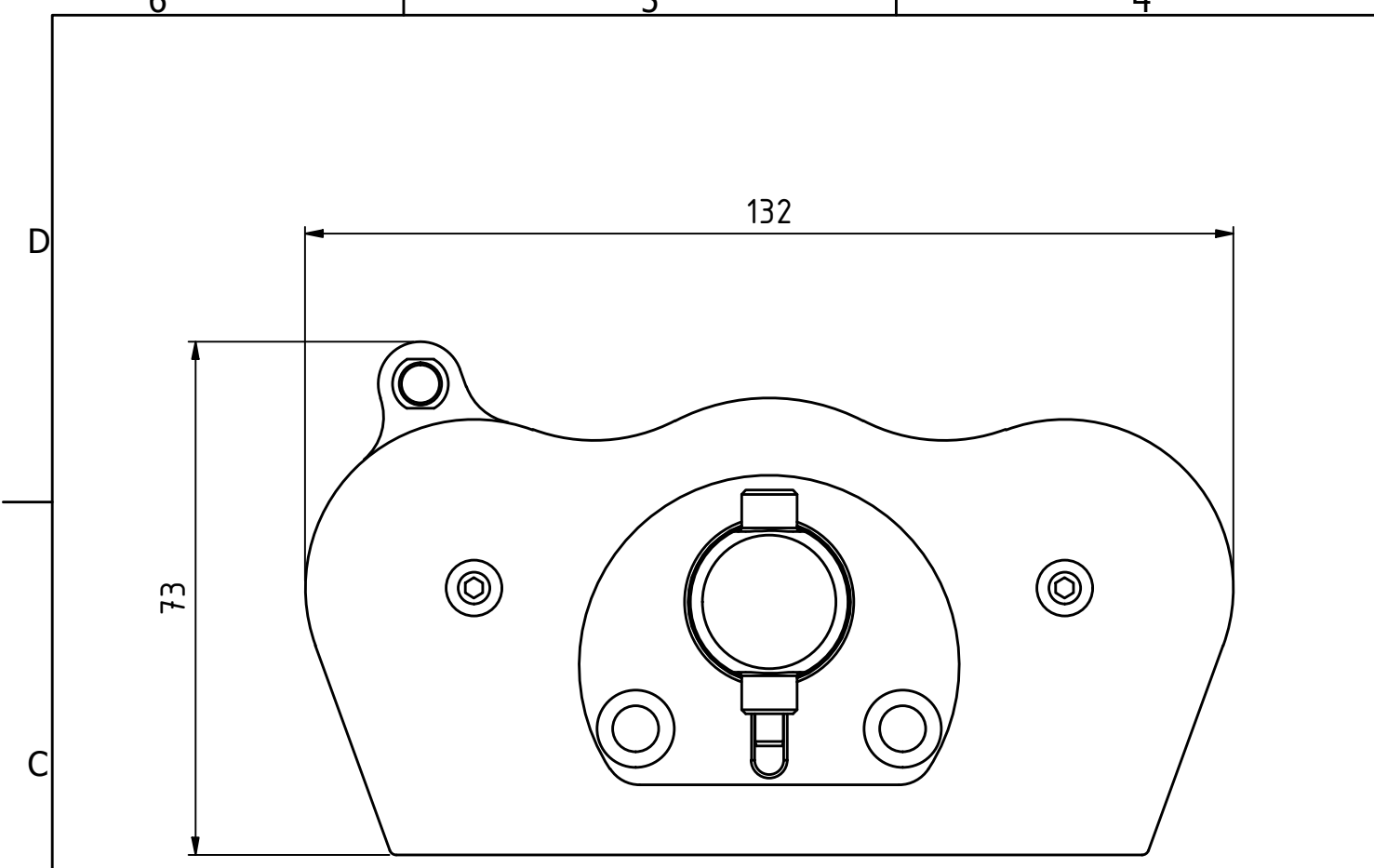



This document must not be copied, either completely or in part, without permission. Any infringement will have legal consequences ©



Product No. 109321021	
Nominal flow \varnothing DN:	? mm
Connection Stroke:	mm
Max WP Connected:	? bar
Max WP Disconnected:	bar
Min BP Connected:	bar
Min BP Disconnected:	bar
Temperature range:	°C - °C
Connection:	
Sealing material:	
Hexagon:	-

Item	Qty	Description	Material	Part Number
9	1	Washer	Al	099321201
8	2	Screw	Steel / FZB	099320906
7	1	Screw	Steel / FZB	099320910
6	1	Dowel pin	Stainless Steel	099324500
5	1	O-ring	FPM	097042810
4	1	Guide pin	Steel Zn 8 Silver	099324508
3	1	Sealing	Rubber	099324602
2	1	Center post	Steel, Zn 8 silver	099327040
1	1	Parking dock	Alu.	099326620

	Scale	1 : 1	Drawn	CABJOER	Checked	Appr.	ECO	Date	170205
	Assembly Drawing 109321021							Drawing No.	Issue
								B	1 / (1)

